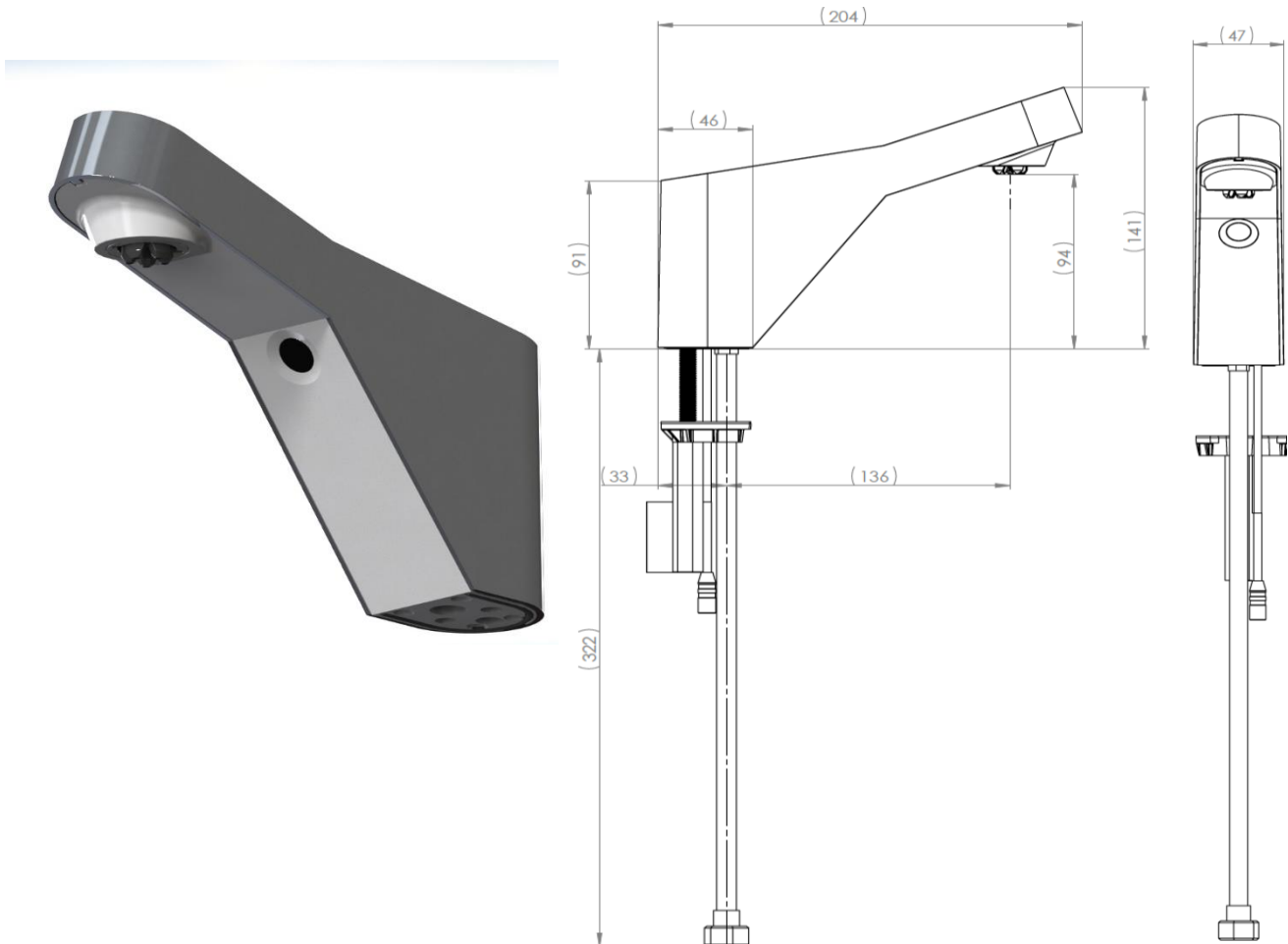


TECHNICAL SPECIFICATIONS COMFORT SENSOR TAP

Smixin Comfort New generation of sensor tap for better hygiene and water saving with 0.7 l/min flow rate.



| Electronic | |
|--------------------------------|---|
| Power supply | Sector (Battery on request) |
| Mains voltage/ Input frequency | 100-240 V AC/ 50-60Hz |
| Power failure | Tap shuts off automatically and will re-activated when power supply returns |

| Performance | |
|---|---|
| Activation | Infrared detection without contact |
| Maximum flow time before automatic shutdown | 30 s |
| Operating temperature | 0-60 °C |
| Stockage temperature | 0-60 °C (75°C for no more than 30 minutes) |

| Dimensions | |
|-------------------|--------|
| Height | 142 mm |
| Width | 50 mm |
| Depth | 205 mm |
| Weight | 1 kg |

| Materials | |
|------------------|--------------------|
| Body | Zinc Nickel-Chrome |
| Bottom cover | PC-ABS (White) |

| Hydraulic Power | |
|------------------------|---------------|
| Water type | Cold Water |
| Connection | G3/8 female |
| Working pressure | 200 - 800 kPa |
| Flow rate | 0.7 l/min |

| Warranty | |
|---|--|
| 2 years subject to manufacturer's conditions. | |

| Packaging | |
|------------------|--------------------|
| Dimensions | 250 x 250 x 110 mm |
| Weight | 1.5 kg |

Product specifications and prices are subject to change without prior notice.